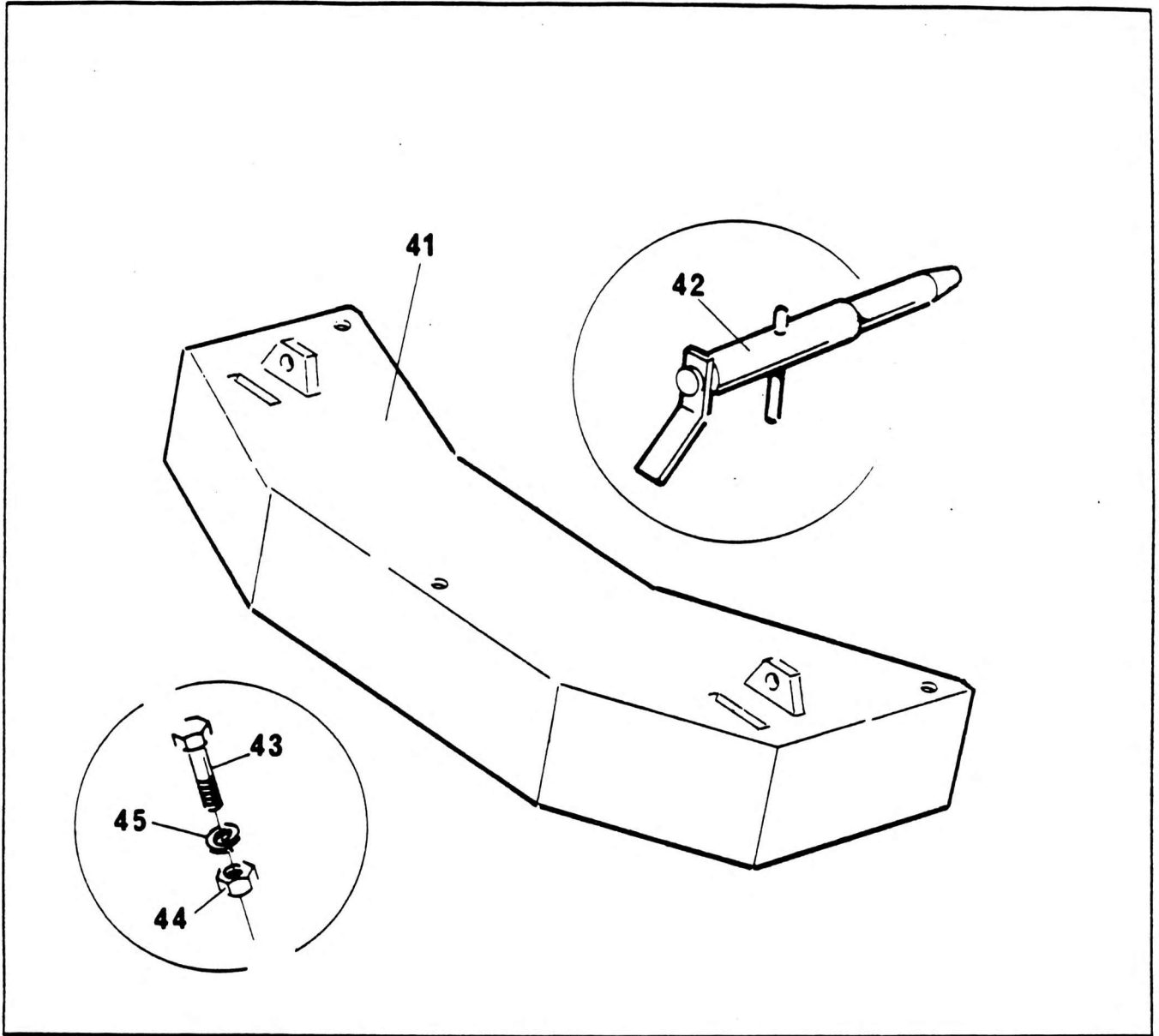


COUNTERWEIGHT ASSEMBLY - 4000 KG



NO.	PART NO.	QTY.	DESCRIPTION	NO.	PART NO.	QTY.	DESCRIPTION
41	6-962-990282	1	Counterweight Casting 4000 kg				
42	6-689-990403	2	Pin Assembly				
43	7-126-292650	3	Bolt Hex Head M24 x 100 Long				
44	7-661-290003	3	Nut Locking M24				
45	7-951-290210	3	Spring Washer M24				

6-962-990288  
Issue No. 00